



Izerwaren
Order
numbers

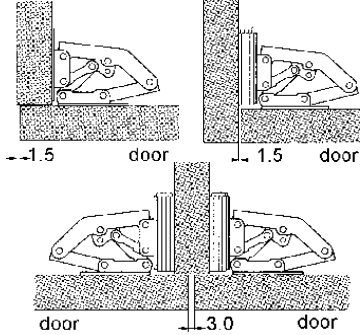
42.200 **Easy on hinge** (2000) 304 stainless steel
42.20S **Easy on hinge** (2000S) spring loaded

For overlay, half overlay or insert doors.

Door thickness: 3/4" or 20 mm

Dimensions: Open: 4 1/16" L x 1 3/4"W

The spring loaded version has an electroplated hardened steel spring.



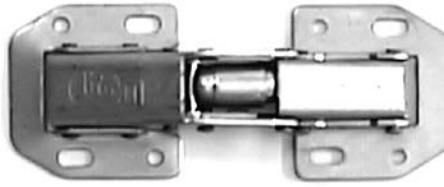
Installation:

Easy and quick installing non mortise cabinet hinge, no machining. Self closing and self locking. (spring loaded version)

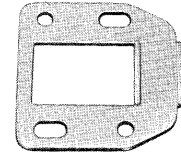
Use filler plates when installing half overlay or insert doors

42.001 White nylon filler plates (2001)
Filler plates thickness: 1/16" thick
For 2000 model only

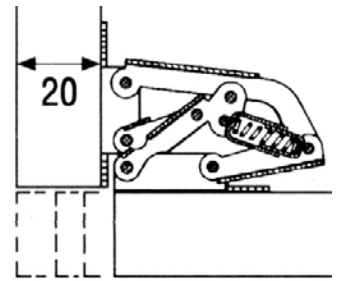
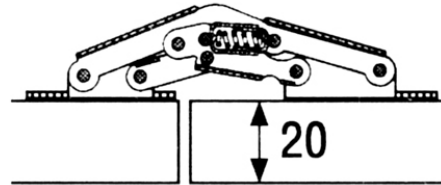
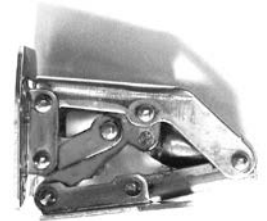
304 STAINLESS STEEL EASY ON HINGE LIGHT DUTY



#42.20S 90 degree stainless steel "easy on hinge",



#2001 filler plate



Leave 1.5 mm 1/16" gap when installing insert doors and full overlay.
Leave 3 mm 1/8" gap when installing 2 doors back to back half overlay. For 3/4" thick material

90 DEGREE OFFSET STEEL GALVANISED STEEL EASY ON HINGE

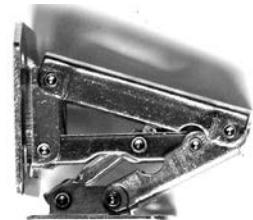
Offset type hinge.
42.0F0 **Easy on hinge** (2000F) not spring loaded
42.0FS **Easy on hinge** (2000FS) spring loaded
For overlay doors.
90 degree opening, door swings out.
Galvanized steel.

Door thickness: 3/4" or 20 mm

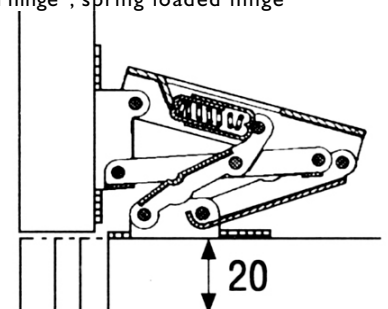
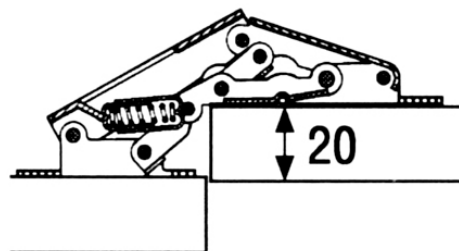
Dimensions: Open: 4 1/16" L x 1 3/4"W

Self closing and self locking = (spring loaded version)

The spring loaded version has an electroplated hardened steel spring.



#42.0F0 90 degree offset galvanized steel "easy on hinge", spring loaded hinge

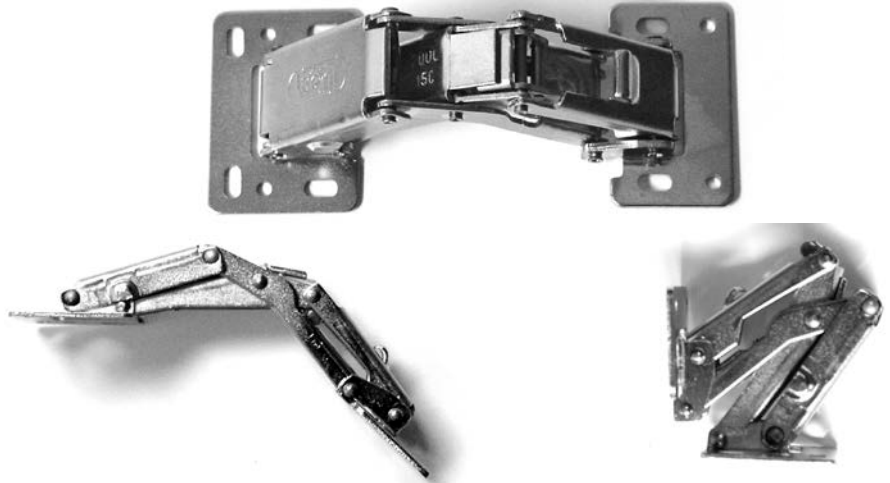


Leave 1.5 mm 1/16" gap when installing insert doors and full overlay. For 3/4" thick material

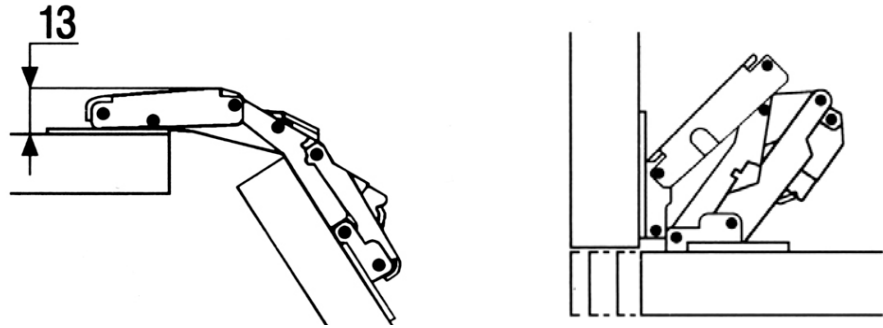


Izerwaren Stronger than regular "Euro" hinges
Order numbers

42.150 **Easy on hinge** (2000/150) not spring loaded
42.15S **Easy on hinge** (2000/150S) spring loaded
150 degree opening,
For overlay, half overlay or insert doors.
Dimensions: Open: 5 3/16" L x 2 1/16" W
Required door thickness: 3/4" or 20 mm
The spring loaded version has an electroplated hardened steel spring.
Installation:
Easy and quick installing non mortise cabinet hinge, no machining. Self closing and self locking. (spring loaded version)



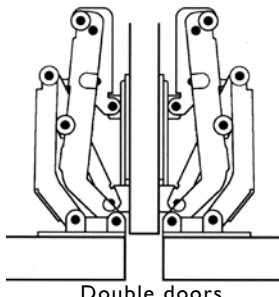
#42.150S 150 degree galvanized steel "easy on hinge", spring loaded hinge



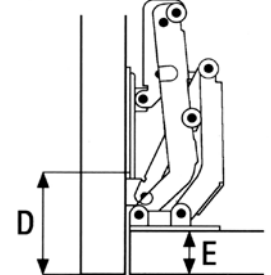
42.170 **Easy on hinge** (2000/170) not spring loaded
42.17S **Easy on hinge** (2000/170S) spring loaded
170 degree opening,
For overlay, half overlay or insert doors.
Dimensions: Open: 6 1/4" L x 2" W
Required door thickness: 3/4" or 20 mm
The spring loaded version has an electroplated hardened steel spring.
Installation:
Easy and quick installing non mortise cabinet hinge, no machining. Self closing and self locking. (spring loaded version)



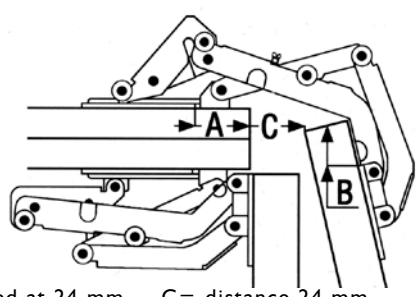
#42.17S 170 degree galvanized steel "easy on hinge", spring loaded hinge



Double doors



D = Maximum 44 mm
B = Maximum 20 mm

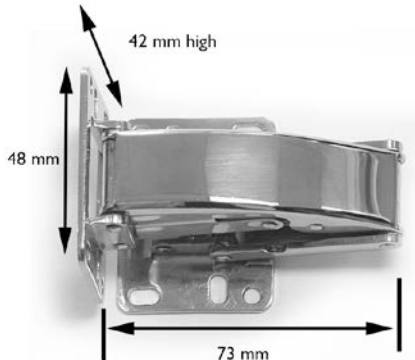


A = fixed at 24 mm C = distance 24 mm
B = adjustable from 0 to 20 mm

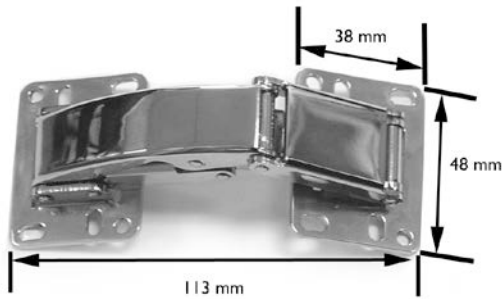


Izerwaren
Order
numbers

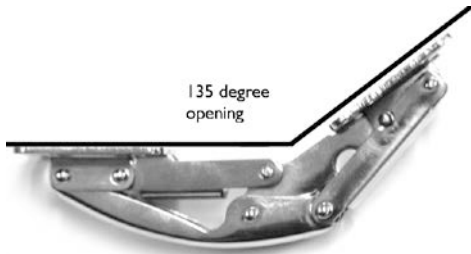
42.7753 **Invisible on hinge for cabinet doors
or small deck hatches**
316 polished stainless steel
125 degree opening
For inlay or up lay doors
Load: Max. 12 lb per hinge
12/19 mm door thickness



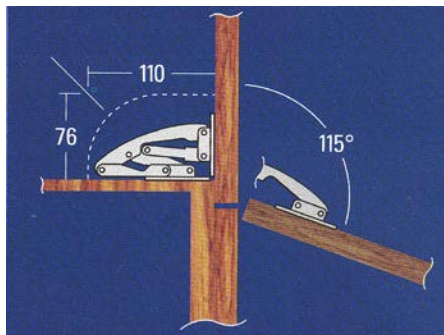
#42.7753 Easy On hinge;
Closed dimensions in mm: 73 long x 42 high x 48 wide



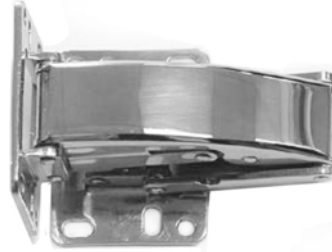
Open dimensions in mm: 113 long x 48 wide
Footprint hinge plates: 48 x 38 mm



135 degree max. angle on hinge



resulting in 125 degree opening door for the
small hinge 42.7753. Bigger size hinges
open 115 degree.



#42.7753 Easy On hinge; 135 degree 316 polished stainless steel



Easy on hinge closed: 73 x 62 x 2 mm thick.
Footprint: 48 x 38 mm.



#42.7753; 125 degree 316 stainless steel easy on hinge



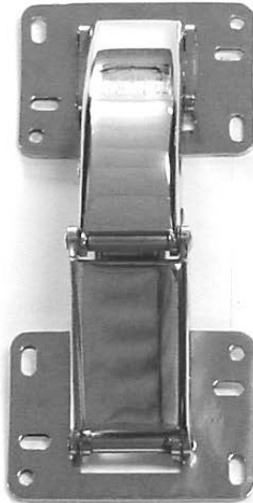
Half way open/ offset



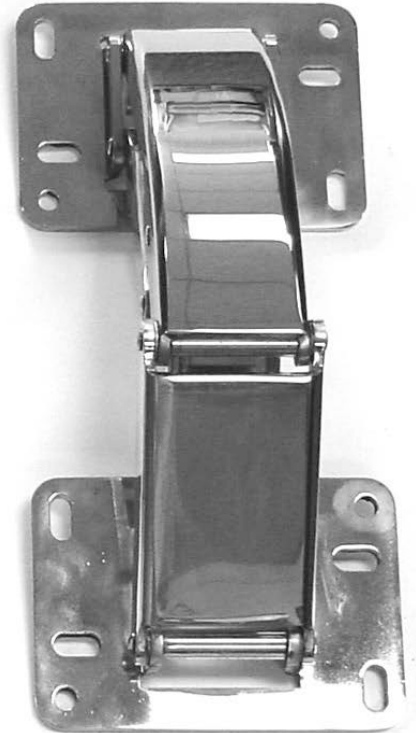
125 degree fully open



42.7753 Small: Max. load:
12 lb per hinge.



42.8865 Medium: Max. load:
50 lb per hinge.



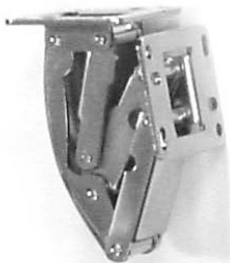
42.7755 Big: Max. load:
75 lb per hinge.

“EASY ON” HINGE FOR HATCHES, BULWARK DOORS AND CABINET DOORS.

* 316 polished stainless steel

* 115 degree opening

* For inlay and up lay doors



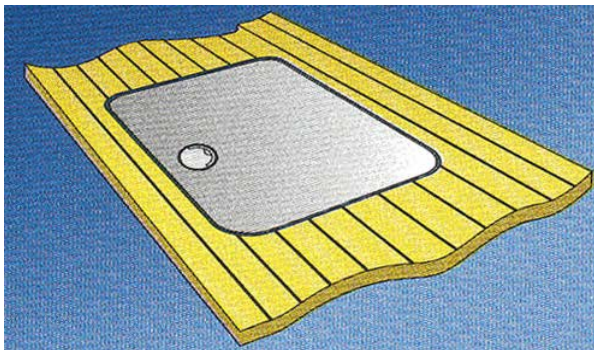
Size 3 x 2 5/8 inch



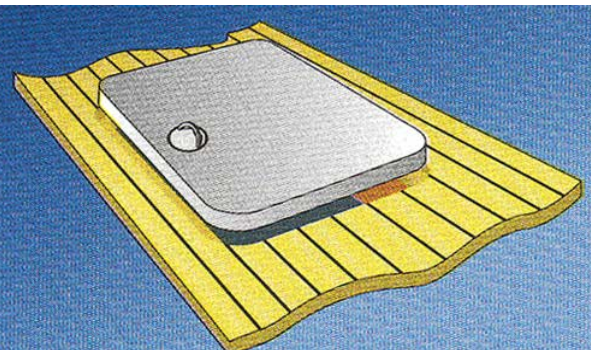
Size 4 1/4 x 2 1/2 inch



Size 6 7/8 x 3 3/4 inch

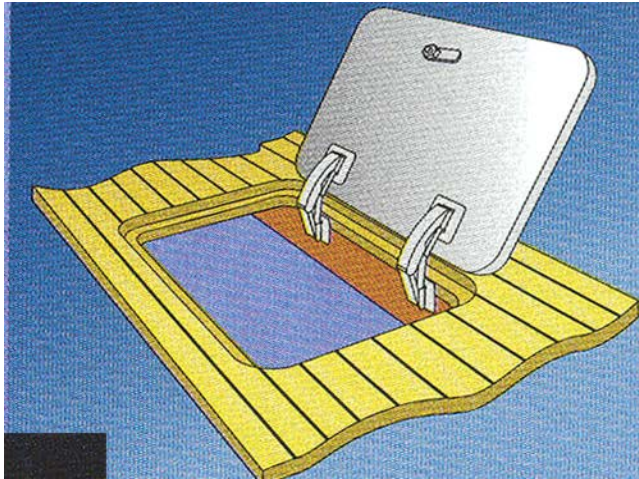


Closed position

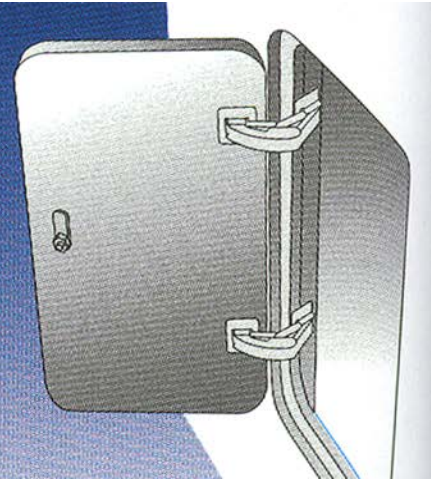


Lifts up first then out

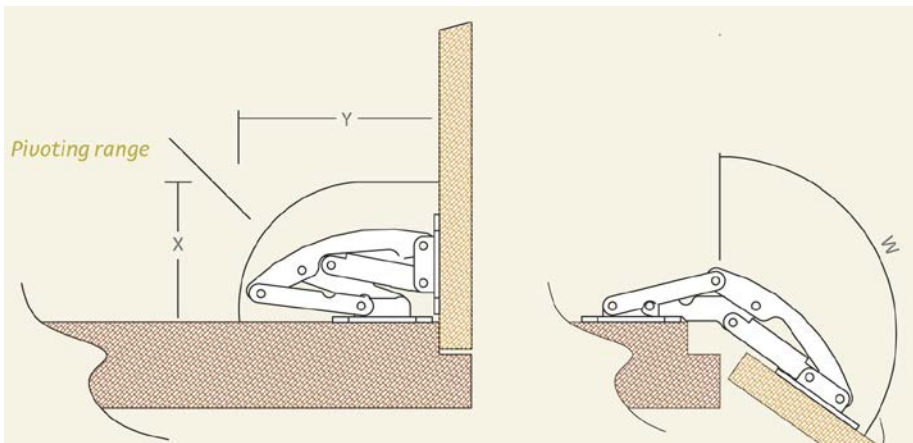
with lift ring #44.0980 with cam



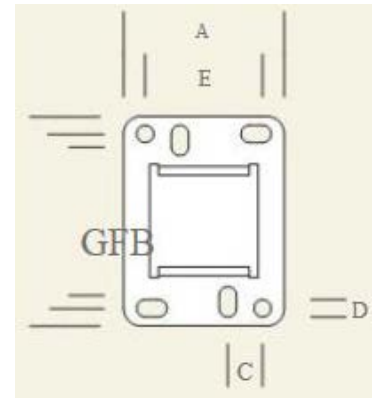
Opens 115 degree



Opens 115 degree

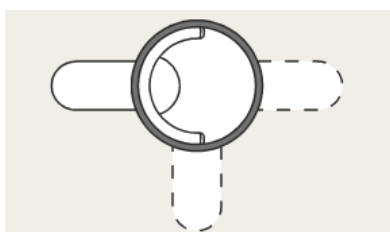


Art	A	B	C	øD	E	F	G	t	W	X	Y
42.7753	37	48	8	4	27	40	34	max. 12	125°	52	75
42.8865	57	80	12	5	37	68	58	max. 20	115°	85	115
42.7755	85	120	18	7	65	100	84	max. 30	115°	130	175



Footprint layout

B = length mounting plate
 F = center to center screw hole
 G = distance adjusting screw hole
 t = max. thickness of door



#44.0980 hatch fastener with cam and lift ring

